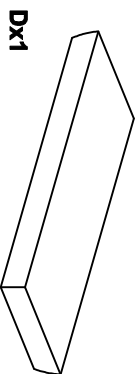
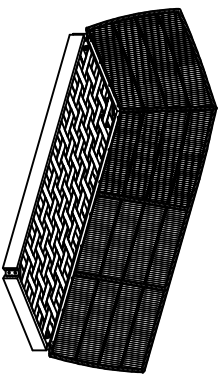
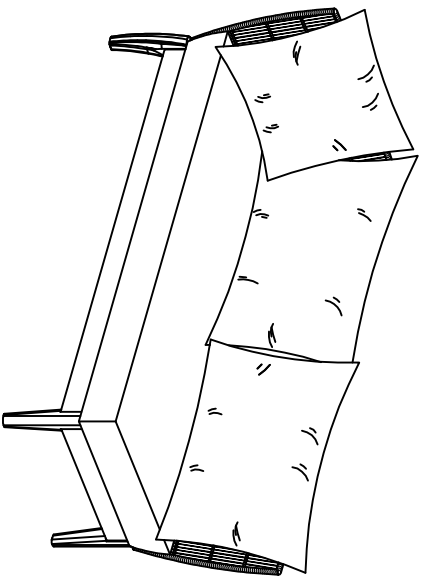


# Lounge sofa, inkl. hynder og 3 pers, venstrevendt.

## Assembly Instructions

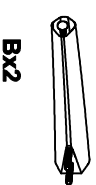


Ax1

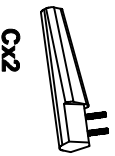
Dx1



Ex2



Bx2



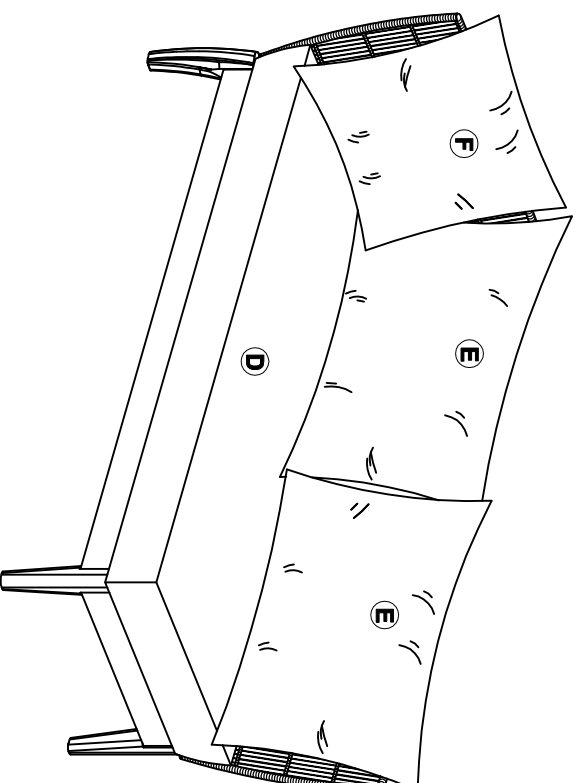
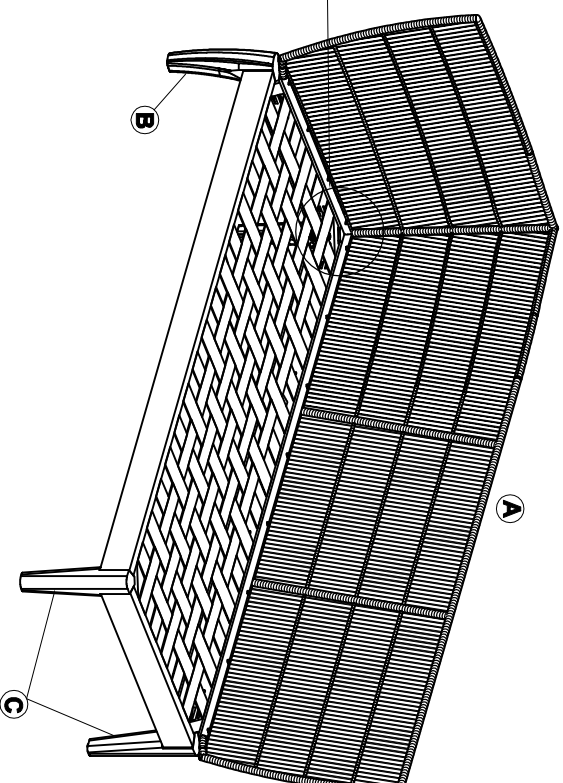
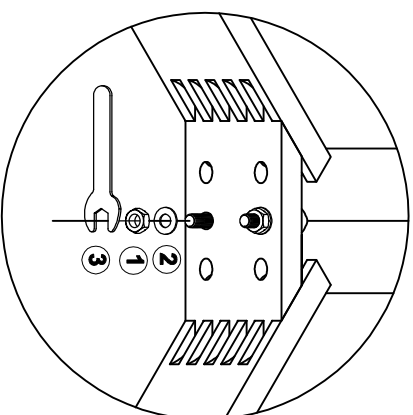
Cx2



Fx1

### LIST OF HARDWARE

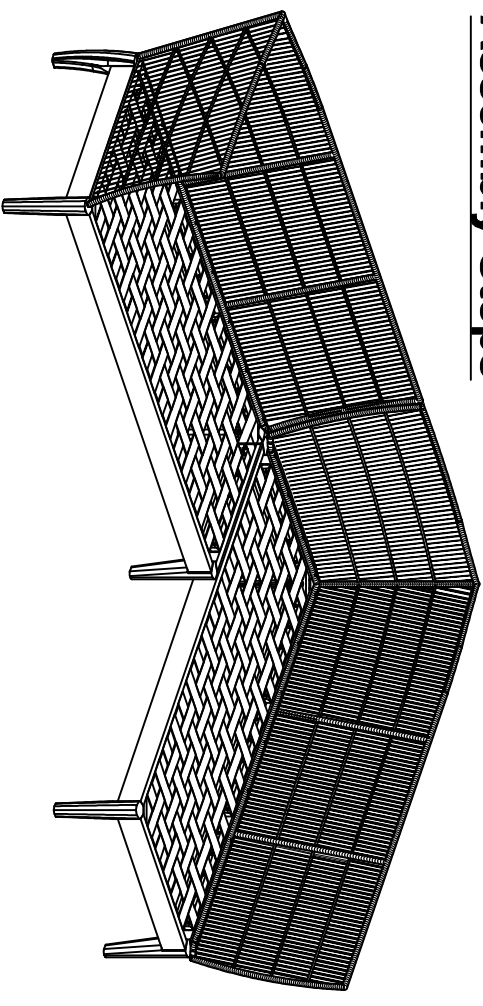
NO.	HARDWARE	QTY
1	Nuts	8
2	Washers	8
3	Spanner	1






# Lounge sofa, inkl. hynder og 3 pers, venstrestreendt.

## Assembly Instructions

### Assembly Steps



No.	Picture	Description	Qty
1		Path	1
2		F-Screw	2
3		Allen key	1

